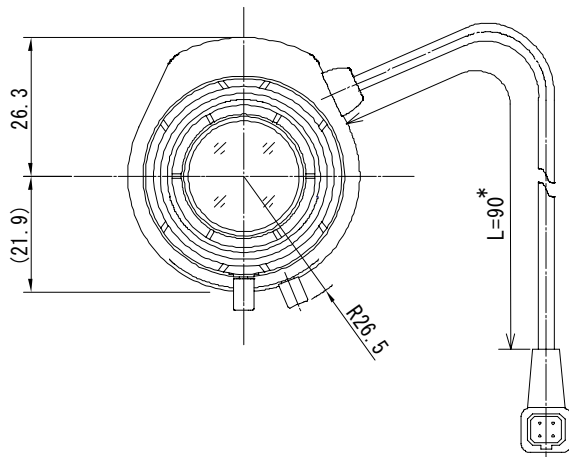


AG3Z3112FCS-MPIR

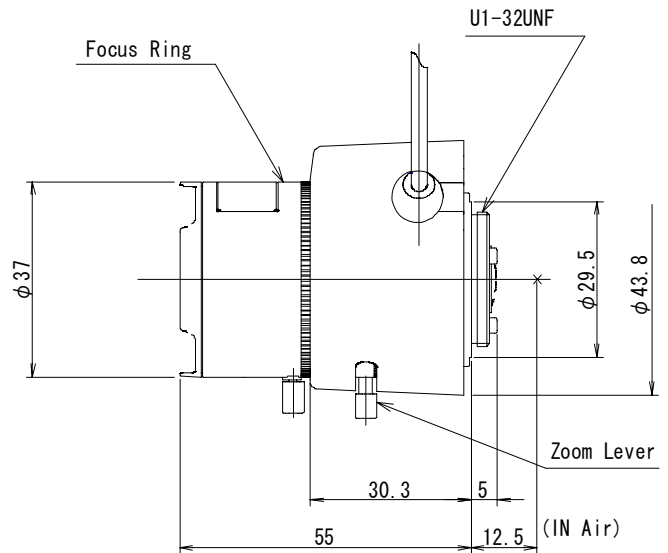
2.6X 3.1mm-8mm F1.2 Day & Night
for 1/2.7 type Megapixel Cameras, Vari-focal Auto Iris DC Drive
CS-Mount

Model No.		AG3Z3112FCS-MPIR		Effective	Front	φ 20.9mm	
Focal Length		3.1mm - 8mm		Lens Aperture	Rear	φ 10.5mm	
Max. Aperture Ratio		1:1.2		Back Focal Length	Tele	7.8mm	
Max. Image Format		3.2mm x 5.8mm(φ 6.6mm)			Wide	7.8mm	
Operation Range	Iris	F1.2 - F360C		Flange Back Length		12.5mm	
	Focus	0.3m - Inf.		Mount		CS-Mount	
	Zoom	3.1mm - 8mm		Filter Size		—	
Control	Iris	DC Auto Iris		Dimensions		φ 37mm x 48.2mm x 55mm	
	Focus	Manual		Weight		59.0g	
	Zoom	Manual					
Angle of View	D	1/2.7 type (16:9)	123.1° - 48.3°	1/2.7 type (4:3)	123.1° - 48.3°	1/3 type (4:3)	110.3° - 43.9°
	H		105.4° - 42.2°		95.9° - 38.7°		86.7° - 35.2°
	V		57.9° - 23.8°		71.0° - 29.1°		64.4° - 26.5°
Coil	Drive	190Ω / 20°C					
	Control	855Ω / 20°C					
Operating Temperature		-10°C - +50°C					

Dimensions



* : 310mm cable is available



Unit : mm

Wiring Diagram

