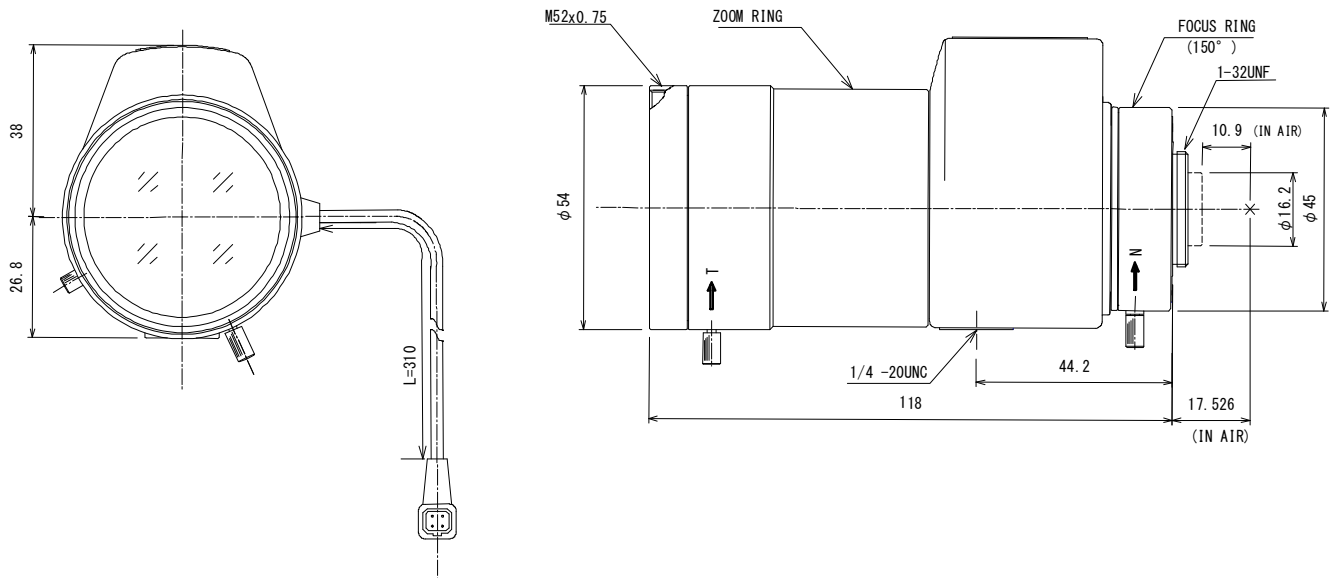


EG5Z2518FC-MP

5X 25mm-135mm F1.8
for 1/1.8 type Megapixel Cameras, Vari-focal Auto Iris DC Drive
C-Mount

Model No.		EG5Z2518FC-MP		Effective	Front	ϕ 44.5mm	
Focal Length		25mm - 135mm		Lens Aperture	Rear	ϕ 12.2mm	
Max. Aperture Ratio		1:1.8			Back Focal Length	Tele	12.0mm
Max. Image Format		5.3mm x 7.1mm (ϕ 8.9mm)		Flange Back Length		Wide	16.4mm
Operation Range	Iris	F1.8 - F360C			Mount	C-Mount	
	Focus	1.5m - Inf.		Tripod Screw	1/4 -20UNC		
	Zoom	25mm - 135mm		Filter Size	M52 x 0.75		
Control	Iris	DC Auto Iris		Dimensions	ϕ 54 x 65 x 118		
	Focus	Manual		Weight	402 g		
	Zoom	Manual					
Angle of View	D	1/1.8 type	20.7° - 3.9°	1/2 type	18.4° - 3.5°	1/3 type	13.6° - 2.6°
	H		16.2° - 3.1°		14.5° - 2.8°		10.8° - 2.1°
	V		12.0° - 2.4°		10.8° - 2.1°		8.1° - 1.6°
Coil	Drive	190 Ω					
	Control	1000 Ω					
Operating Temperature		-10°C - +50°C					

Dimensions



Wiring Diagram

