

# HG5Z2518FC-MP

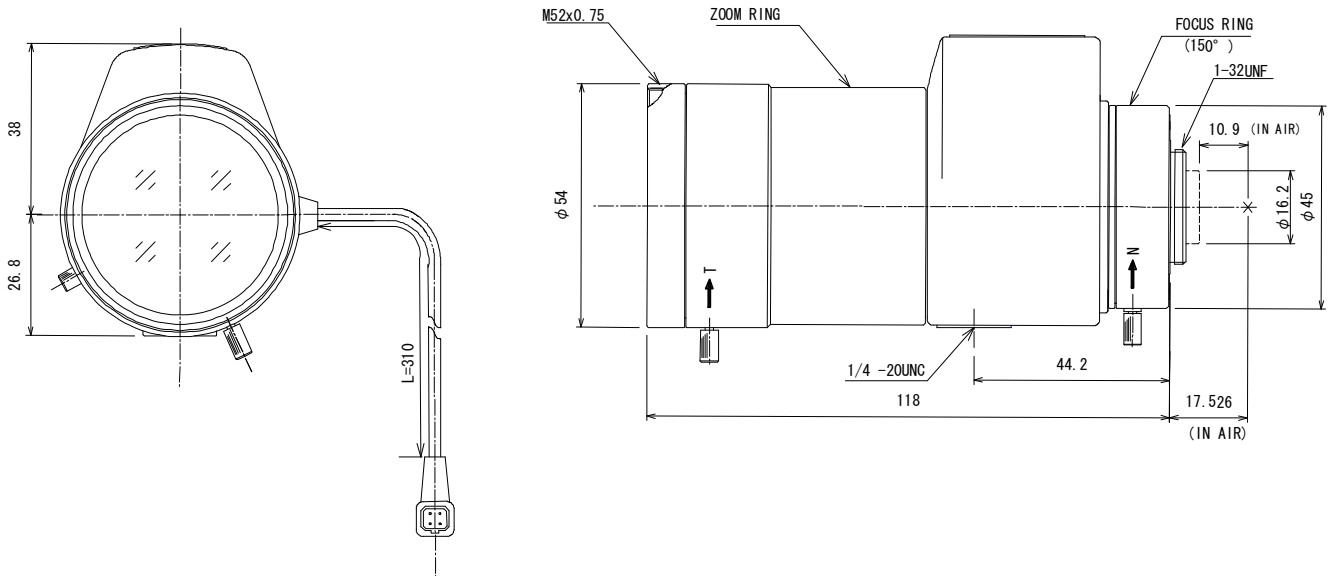
5X 25mm-135mm F1.8

for 1/2 type Megapixel Cameras, Vari-focal Auto Iris DC Drive

C-Mount

Model No.		HG5Z2518FC-MP		Effective	Front	$\phi$ 44.5mm	
Focal Length		25mm - 135mm		Lens Aperture	Rear	$\phi$ 12.2mm	
Max. Aperture Ratio		1:1.8		Back Focal Length	Tele	12.0mm	
Max. Image Format		4.8mm x 6.4mm ( $\phi$ 8.0mm)			Wide	16.4mm	
Operation Range	Iris	F1.8 - F360C		Flange Back Length		17.526mm	
	Focus	1.5m - Inf.		Mount		C-Mount	
	Zoom	25mm - 135mm		Tripod Screw		1/4 -20UNC	
Control	Iris	DC Auto Iris		Filter Size		M52 x 0.75	
	Focus	Manual		Dimensions		$\phi$ 54 x 65 x 118	
	Zoom	Manual		Weight		402 g	
Angle of View	D	1/2 type	18.4° - 3.5°	1/3 type	13.6° - 2.6°	1/4 type	10.1° - 2.0°
	H		14.5° - 2.8°		10.8° - 2.1°		8.1° - 1.6°
	V		10.8° - 2.1°		8.1° - 1.6°		6.0° - 1.2°
Coil	Drive	190 $\Omega$					
	Control	1000 $\Omega$					
Operating Temperature		-10°C - +50°C					

**Dimensions**



**Wiring Diagram**

