

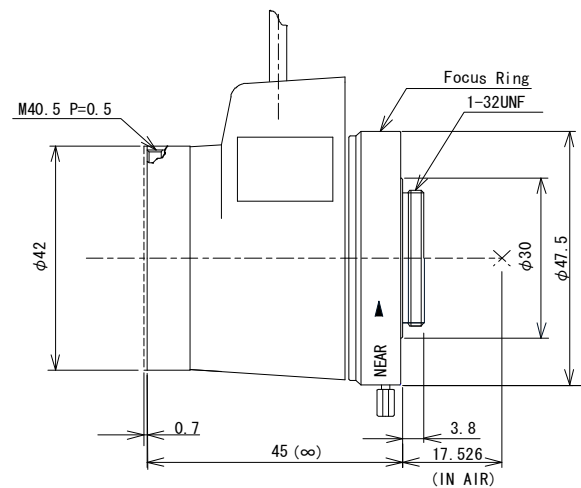
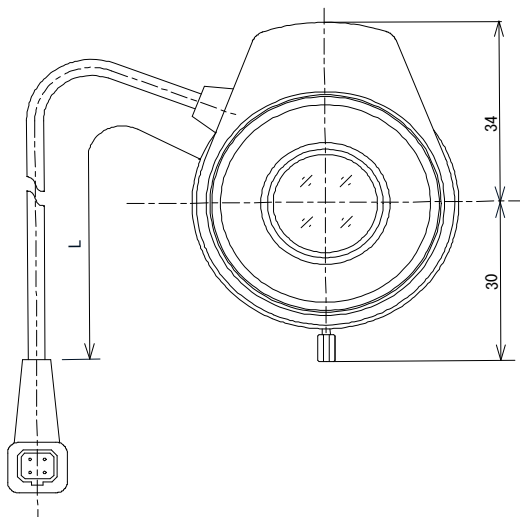
MG0918FC-MP

f=9mm F1.8

for 2/3 type 5 Megapixel Cameras, Fixed-focal, Auto Iris, DC Drive
C-Mount

Model No.	MG0918FC-MP		Effective	Front	φ 20.1mm		
Focal Length	9mm		Lens Aperture	Rear	φ 12.4mm		
Max. Aperture Ratio	1:1.8		Back Focal Length		14.8mm		
Max. Image Format	6.6mm x 8.8mm(φ 11mm)		Flange Back Length		17.526mm		
Operation Range	Iris	F1.8 - F360C	Mount		C-Mount		
	Focus	1m - Inf.	Filter Size		M40.5 × 0.5		
	Zoom	-	Dimensions		φ 42mm × 57.8mm × 45mm		
Control	Iris	DC Auto Iris	Weight		107 g		
	Focus	Manual					
	Zoom	-					
Angle of View	D	2/3 type	63.4°	1/2 type	47.8°	1/3 type	36.4°
	H		52.1°		38.7°		29.3°
	V		39.9°		29.3°		22.1°
Coil	Drive	190 Ω					
	Control	1000 Ω					
Operating Temperature	-10°C - +50°C						

Dimensions



Wiring Diagram

