

# MG2514FC-MPIR

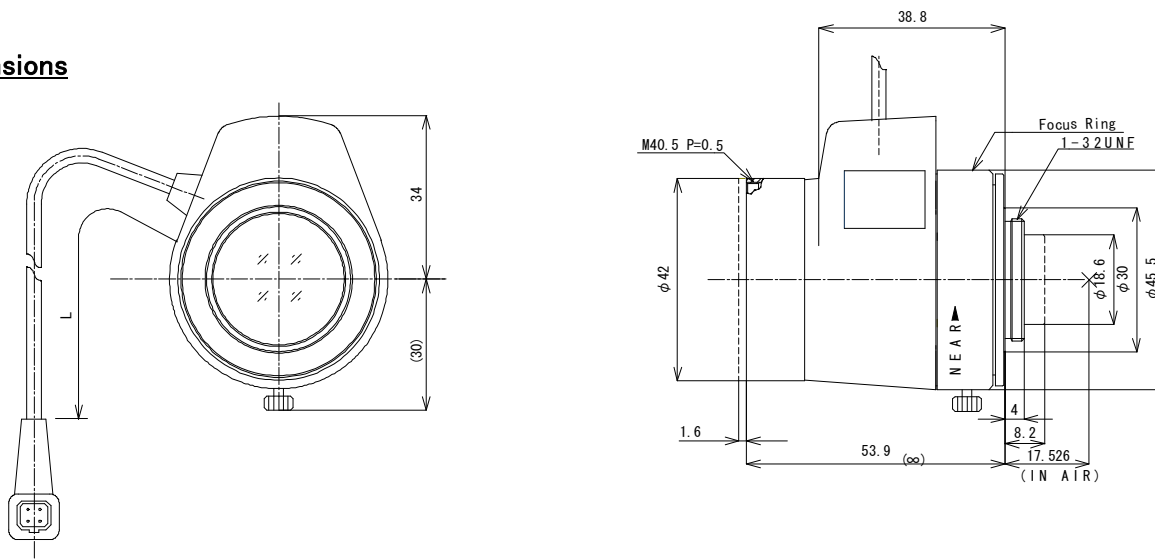
f=25mm F1.4 Day & Night

for 2/3 type 5 Megapixel Cameras, Fixed-focal, Auto Iris, DC Drive

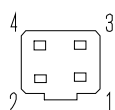
C-Mount

Model No.	MG2514FC-MPIR			Effective	Front	φ 27.0mm	
Focal Length	25mm			Lens Aperture	Rear	φ 12.4mm	
Max. Aperture Ratio	1:1.4			Back Focal Length		10.8mm	
Max. Image Format	11.3mm x 6.0mm (φ 12.8mm)			Flange Back Length		17.526mm	
Operation Range	Iris	F1.4 - F360C		Mount		C-Mount	
	Focus	1m - Inf.		Filter Size		M40.5 × 0.5	
	Zoom	-		Dimensions		φ 42mm × 58.6mm × 53.9mm	
Control	Iris	DC Auto Iris		Weight		131.6g	
	Focus	Manual					
	Zoom	-					
Angle of View	D	2/3 type	24.9°	1/2 type	18.2°	1/3 type	13.7°
	H		20.0°		14.6°		11.0°
	V		15.1°		11.0°		8.2°
Coil	Drive	190Ω		CMV2000 11.264 × 5.984 (φ 12.75)	D	28.6°	
	Control	1000Ω			H	25.4°	
Operating Temperature	-10°C - +50°C				V	13.7°	

## Dimensions



## Wiring Diagram



Pin No.

1	BROWN	Control(-)
2	RED	Control(+)
3	YELLOW	Drive (+)
4	ORANGE	Drive (-)