

computar

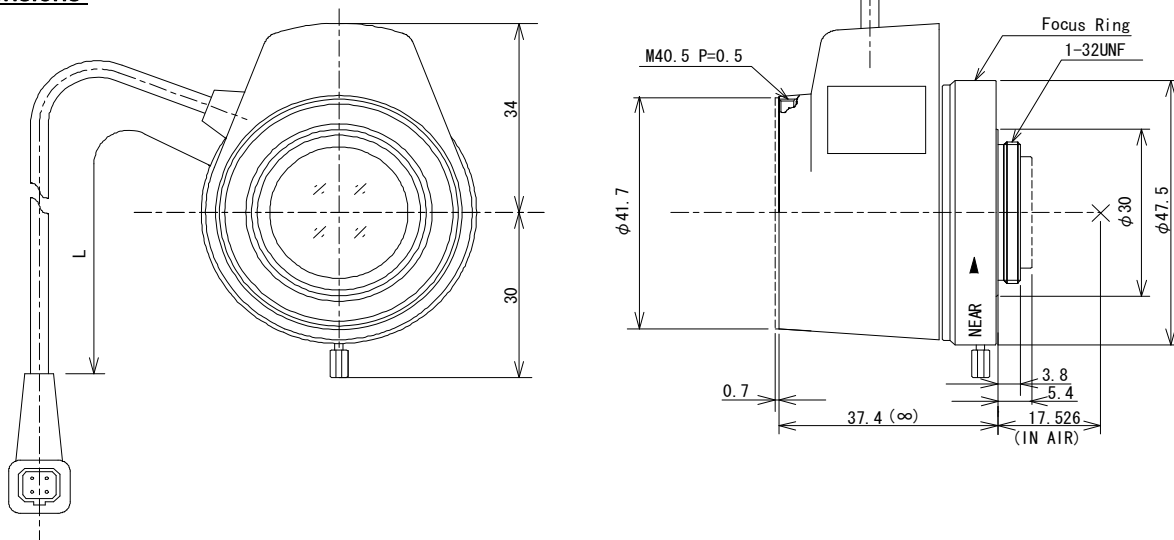
MG2514FC-MP

f=25mm F1.4

for 2/3 type 5 Megapixel Cameras, Fixed-focal, Auto Iris, DC Drive
C-Mount

Model No.	MG2514FC-MP		Effective	Front	φ 23.4mm		
Focal Length	25mm		Lens Aperture	Rear	φ 14.6mm		
Max. Aperture Ratio	1:1.4		Back Focal Length		13.3mm		
Max. Image Format	6.6mm x 8.8mm (φ 11mm)		Flange Back Length		17.526mm		
Operation Range	Iris	F1.4 - F360C		Mount	C-Mount		
	Focus	1.5m - Inf.		Filter Size	M40.5 × 0.5		
	Zoom	-		Dimensions	φ 41.7mm × 57.8mm × 37.4mm		
Control	Iris	DC Auto Iris		Weight	102.2 g		
	Focus	Manual					
	Zoom	-					
Angle of View	D	2/3 type	24.9°	1/2 type	18.2°	1/3 type	13.7°
	H		20.0°		14.6°		11.0°
	V		15.1°		11.0°		8.2°
Coil	Drive	190 Ω					
	Control	1000 Ω					
Operating Temperature	-10°C - +50°C						

Dimensions



Wiring Diagram

