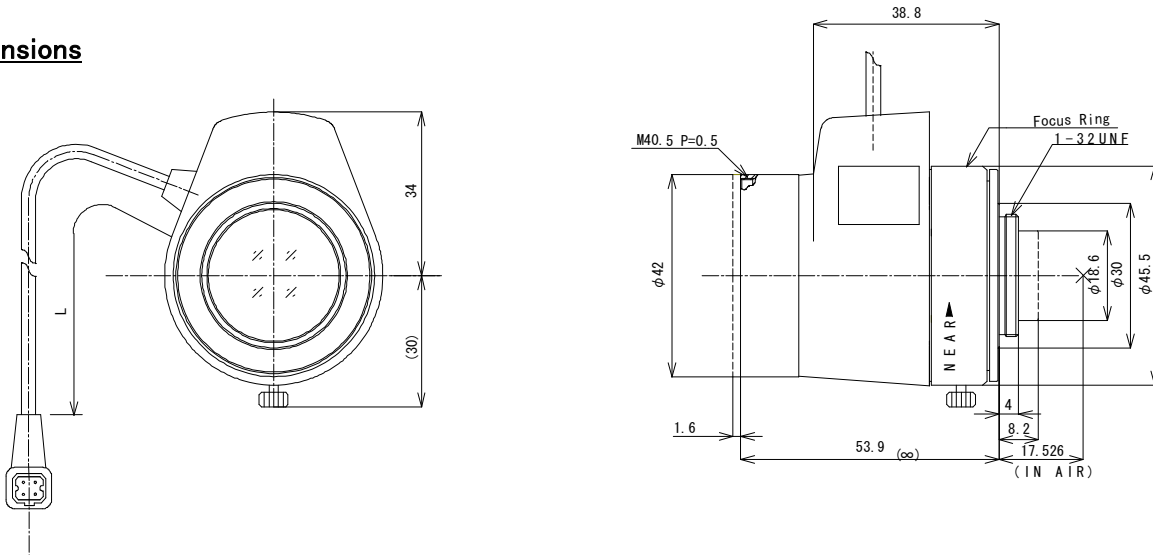


MG2514KC-MPIR

f=25mm F1.4 Day & Night
for 2/3 type 5 Megapixel Cameras, Fixed-focal, Stepping Motor Iris
C-Mount

Model No.		MG2514KC-MPIR		Effective	Front	ϕ 27.0mm	
Focal Length		25mm		Lens Aperture	Rear	ϕ 12.4mm	
Max. Aperture Ratio		1:1.4		Back Focal Length		10.8mm	
Max. Image Format		11.3mm x 6.0mm(ϕ 12.8mm)		Flange Back Length		17.526mm	
Operation Range	Iris	F1.4 - F16C		Mount		C-Mount	
	Focus	1m - Inf.		Filter Size		M40.5 \times 0.5	
	Zoom	-		Dimensions		ϕ 42mm \times 58.6mm \times 53.9mm	
Control	Iris	Stepping Motor		Weight		128.8g	
	Focus	Manual					
	Zoom	-					
Angle of View	D	2/3 type	24.9°	1/2 type	18.2°	1/3 type	13.7°
	H		20.0°		14.6°		11.0°
	V		15.1°		11.0°		8.2°
Operating Temperature		-10°C - +50°C		CMV2000 11.264 \times 5.984 (ϕ 12.75)	D	28.6°	
					H	25.4°	
					V	13.7°	

Dimensions



Wiring Diagram

