

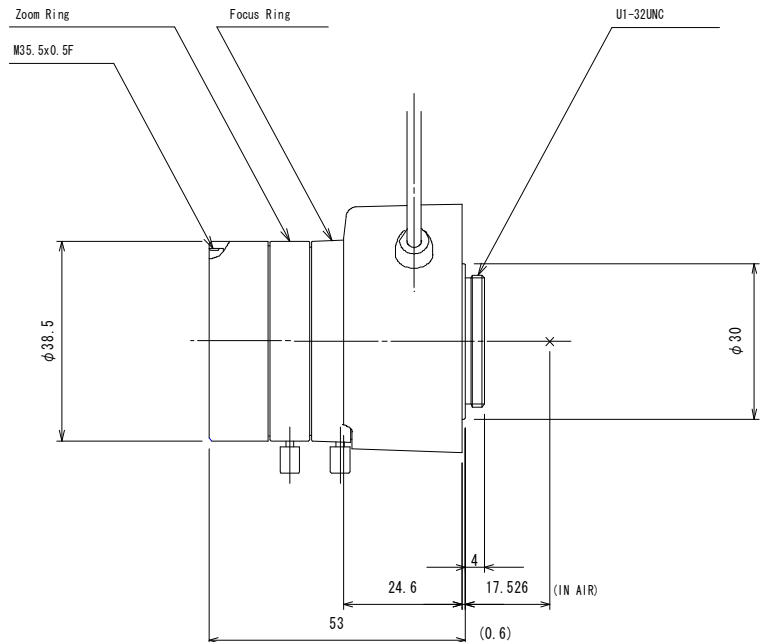
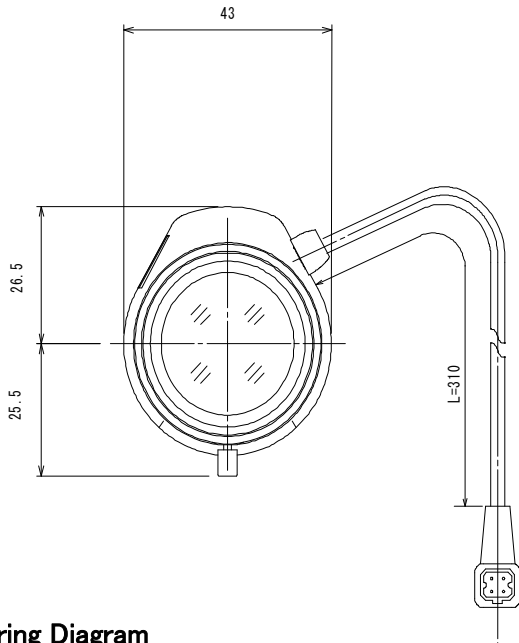
MG3Z1228FC-MP

3X 12mm-36mm F2.8

**for 2/3 type Cameras, Megapixel Vari-focal Auto Iris DC Drive
C-Mount**

Model No.		MG3Z1228FC-MP		Effective	Front	φ 27.2mm	
Focal Length		12mm - 36mm		Lens Aperture	Rear	φ 12.1mm	
Max. Aperture Ratio		1:2.8		Back Focal Length	Tele	13.5mm	
Max. Image Format		6.6mm x 8.8mm(φ 11mm)			Wide	14.7mm	
Operation Range	Iris	F2.8 - F360C		Flange Back Length		17.526mm	
	Focus	0.3m - ∞		Mount		C-Mount	
	Zoom	12mm - 36mm		Filter Size		M35.5 P=0.5mm	
Control	Iris	DC Auto Iris		Dimensions		φ 41.6mm x 52mm x 53mm	
	Focus	Manual		Weight		99 g	
	Zoom	Manual					
Angle of View	D	2/3 type	50.4° - 16.8°	1/2 type	37.5° - 12.5°	1/3 type	28.3° - 9.4°
	H		41.0° - 13.6°		30.2° - 10.0°		22.8° - 7.6°
	V		31.2° - 10.4°		22.8° - 7.6°		17.1° - 5.7°
Coil	Drive	190 Ω					
	Control	1000 Ω					
Operating Temperature		-10°C - +50°C					

Dimensions



Wiring Diagram

