

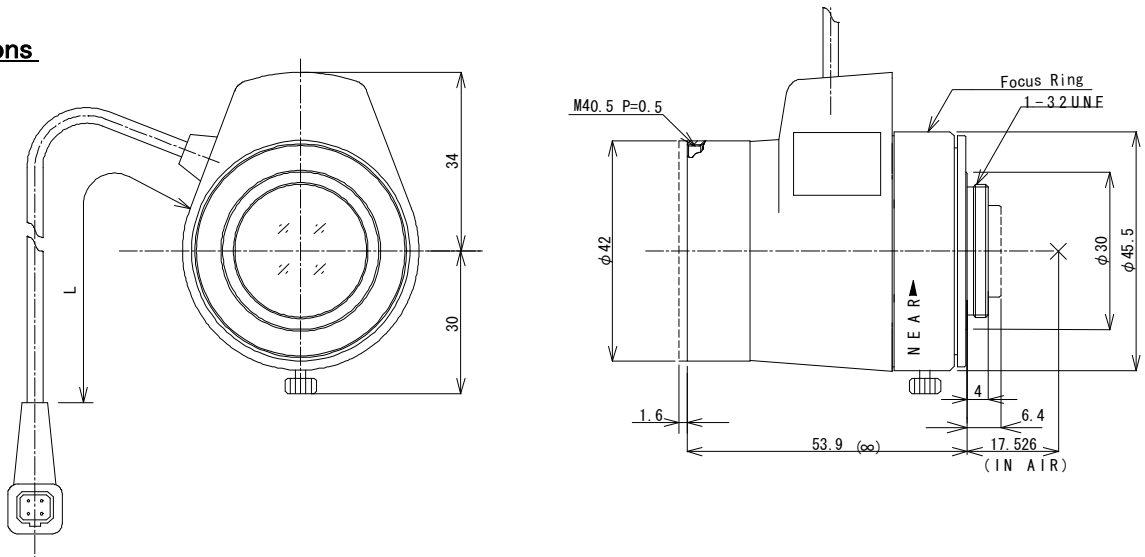
computar

MG5020FC-MPIR

f=50mm F2.0 Day & Night
for 2/3 type 5 Megapixel Cameras, Fixed-focal, Auto Iris, DC Drive
C-Mount

Model No.		MG5020FC-MPIR		Effective	Front	φ 25.2mm	
Focal Length		50mm		Lens Aperture	Rear	φ 11.0mm	
Max. Aperture Ratio		1:2.0		Back Focal Length		14.8mm	
Max. Image Format		11.3mm x 6.0mm (φ 12.8mm)		Flange Back Length		17.526mm	
Operation Range	Iris	F2.0 - F360C		Mount		C-Mount	
	Focus	2m - Inf.		Filter Size		M40.5 × 0.5	
	Zoom	-		Dimensions		φ 42mm × 56.8mm × 53.9mm	
Control	Iris	DC Auto Iris		Weight		131.8 g	
	Focus	Manual					
	Zoom	-					
Angle of View	D	2/3 type	12.2°	1/2 type	8.9°	1/3 type	6.7°
	H		9.8°		7.1°		5.3°
	V		7.3°		5.3°		4.0°
Coil	Drive	190 Ω		CMV2000	D	14.1°	
	Control	1000 Ω			11.264 × 5.984	H	12.5°
Operating Temperature		-10°C - +50°C		(φ 12.75)	V	6.7°	

Dimensions



Wiring Diagram

