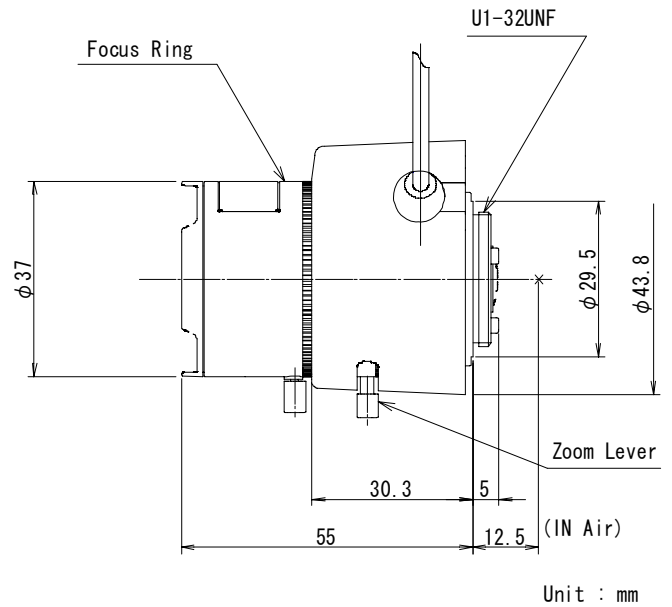
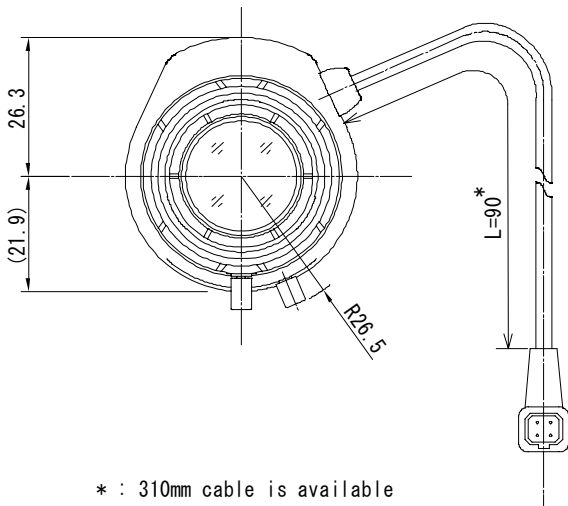


TG3Z0312FCS-MPIR

3X 3mm-8mm F1.2 Day & Night
for 1/3 type Megapixel Cameras, Vari-focal Auto Iris DC Drive
CS-Mount

Model No.	TG3Z0312FCS-MPIR		Effective	Front	φ 20.9mm		
Focal Length	3mm - 8mm		Lens Aperture	Rear	φ 10.5mm		
Max. Aperture Ratio	1:1.2		Back Focal	Tele	7.8mm		
Max. Image Format	3.6mm x 4.8mm(φ 6mm)		Length	Wide	7.8mm		
Operation Range	Iris	F1.2 - F360C	Flange Back Length		12.5mm		
	Focus	0.3m - Inf.	Mount		CS-Mount		
	Zoom	3mm - 8mm	Filter Size		—		
Control	Iris	DC Auto Iris	Dimensions		φ 37mm x 48.2mm x 55mm		
	Focus	Manual	Weight		59.0g		
	Zoom	Manual					
Angle of View	D	1/3 type	115.8° - 43.9°	1/4 type	84.8° - 33°	1/3 type	115.8° - 43.9°
	H	(4:3)	90.7° - 35.2°	(4:3)	67.3° - 26.5°	(16:9)	99.2° - 38.2°
	V		67.3° - 26.5°		50.2° - 19.9°		54.7° - 21.6°
Coil	Drive	190 Ω / 20°C					
	Control	855 Ω / 20°C					
Operating Temperature	-10°C - +50°C						

Dimensions



Wiring Diagram

