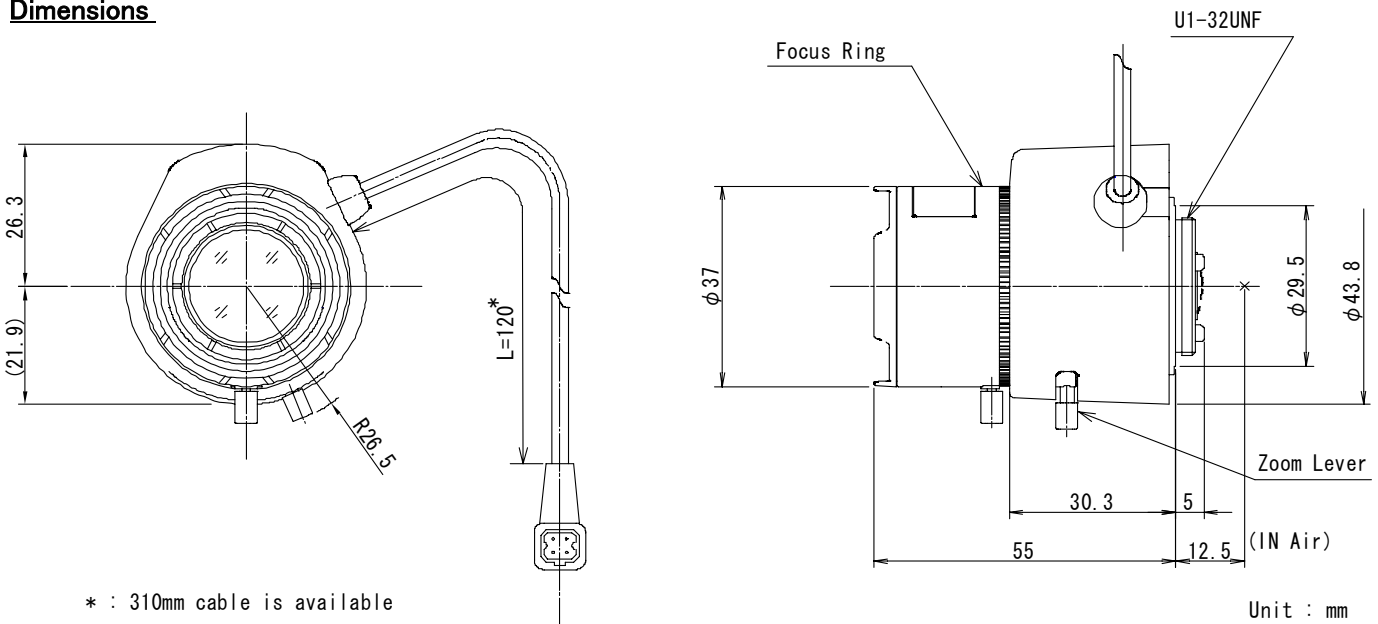


TG3Z0312KCS-MPIR

3X 3mm-8mm F1.2 Day & Night
for 1/3 type Megapixel Cameras, Vari-focal Auto Iris Stepping Motor
CS-Mount

Model No.		TG3Z0312KCS-MPIR		Effective	Front	φ 20.9mm	
Focal Length		3mm - 8mm		Lens Aperture	Rear	φ 10.5mm	
Max. Aperture Ratio		1:1.2		Back Focal Length	Tele	7.8mm	
Max. Image Format		3.6mm x 4.8mm(φ 6mm)			Wide	7.8mm	
Operation Range	Iris	F1.2 - F16C		Flange Back Length		12.5mm	
	Focus	0.3m - Inf.		Mount		CS-Mount	
	Zoom	3mm - 8mm		Filter Size		—	
Control	Iris	Stepping Motor		Dimensions		φ 37mm x 48.2mm x 55mm	
	Focus	Manual		Weight		57.0g	
	Zoom	Manual					
Angle of View	D	1/3 type	115.8° - 43.9°	1/4 type	84.8° - 33°		
	H		90.7° - 35.2°		67.3° - 26.5°		
	V		67.3° - 26.5°		50.2° - 19.9°		
Operating Temperature		-10°C - +50°C					

Dimensions



Wiring Diagram

